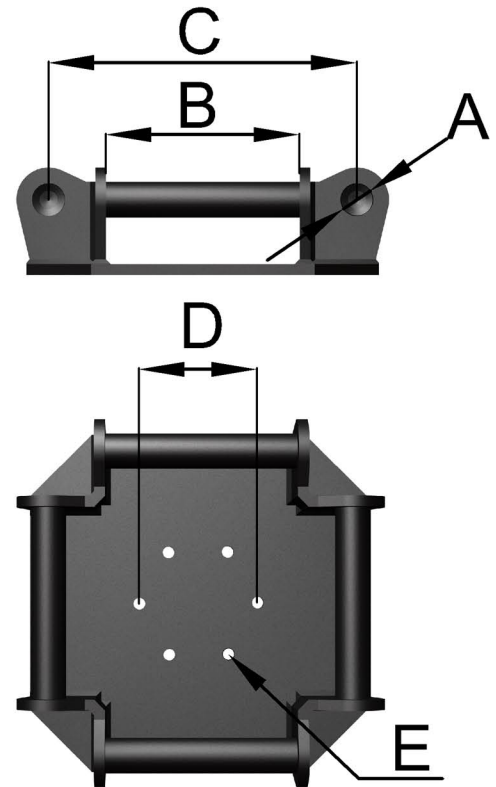
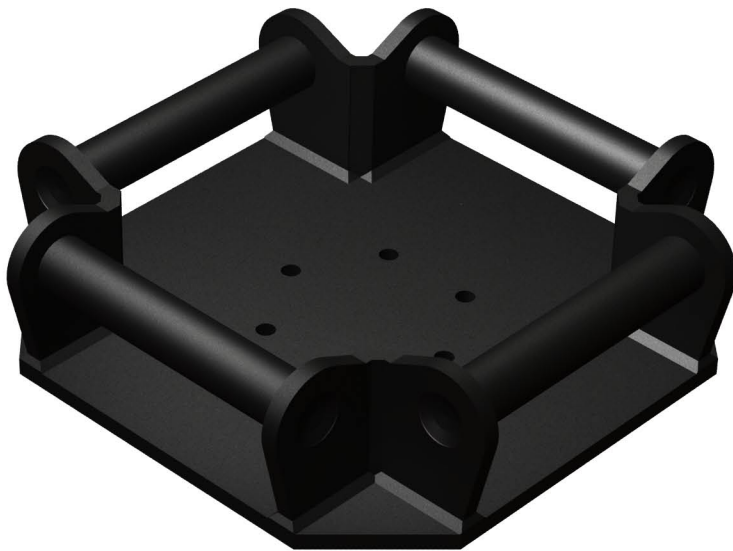


Dala-Fästet

SX ADAPTER



SX adapter for excavators in weight class 1 -12 tons

Model	SX30/150	SX30/180	SX40	SX45	SX50
Axel diameter A: (mm)	Ø 30	Ø 30	Ø 40	Ø 45	Ø 50
Width B: (mm)	150	180	200	290	270
Length C: (mm)	200	230	300	430	430
Distance between centers D: (mm)	173	173	173	173	173
Fastening E: (diameter mm*pcs)	17*6	17*6	17*6	17*6	17*6
Order code	SX30/150	SX30/180	SX40	SX45	SX50

Sit Right AB
Adress: Närsjövägen 36,
SE-780 53 NÅS, Sweden
e-post: mail@sit-right.se
Telefon: 0281-300 30
www.sit-right.se

sitRIGHT