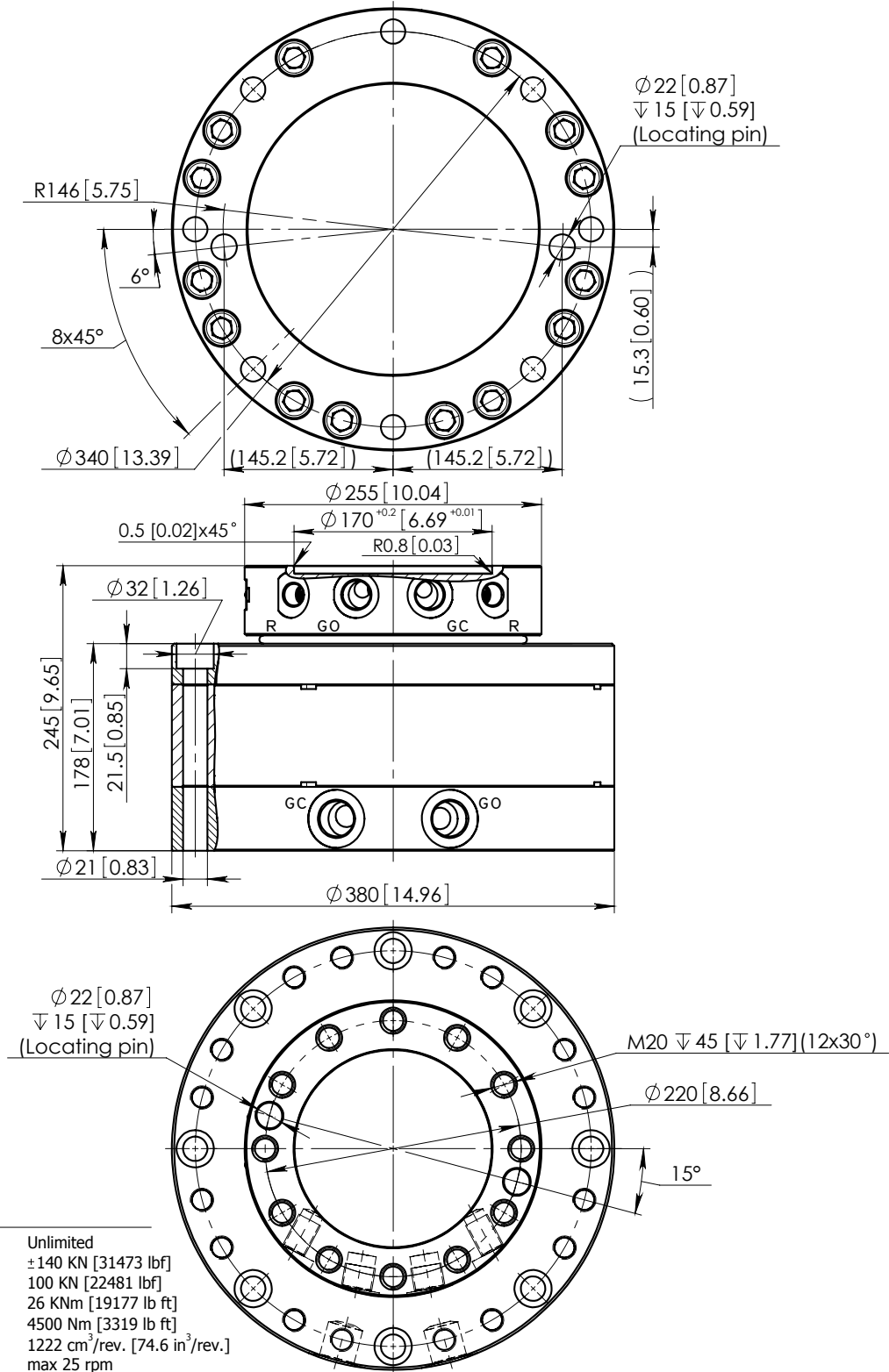


INDUSTRIAL ROTATOR **CPR14-01**

(PATENT PENDING)



Technical data

Rotation	Unlimited
Max axial load	± 140 KN [31473 lbf]
Max radial load	100 KN [22481 lbf]
Moment of deflection	26 KNm [19177 lb ft]
Torque at 25 Mpa	4500 Nm [3319 lb ft]
Rated displacement	1222 cm ³ /rev. [74.6 in ³ /rev.]
Rotation speed	max 25 rpm
Oil duct area for grapple	260 mm ² [0.403 in ²]
Weight	163 kg [359 lb]

Function	Max working pressure	Rec oilflow	Connection
R - rotation	25 MPa [3625 psi] *	35 l/min [9.2 gal(US)/min]	G 1/2"
GO - grapple/tool open	35 MPa [5076 psi]		G 3/4"
GC - grapple/tool close	35 MPa [5076 psi]		G 3/4"

* Relief valves fitted

2008.11.21.