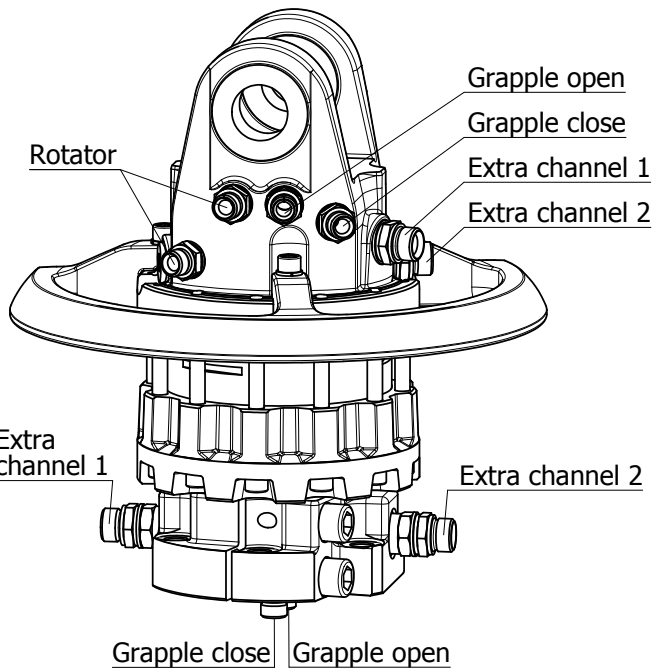
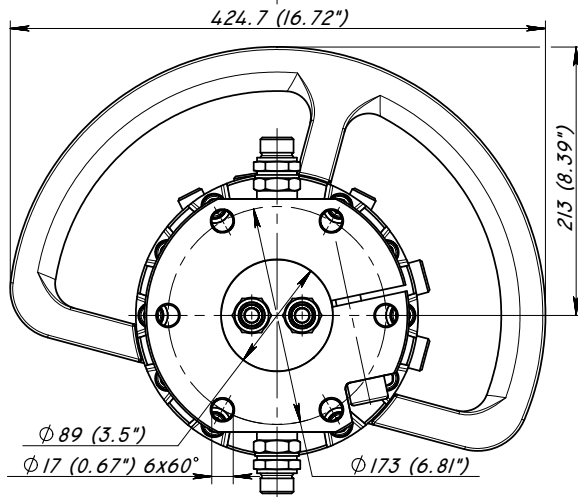
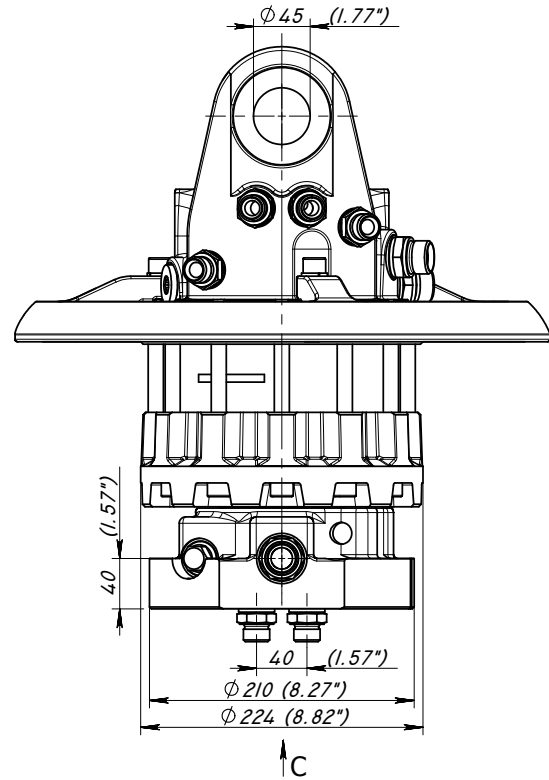
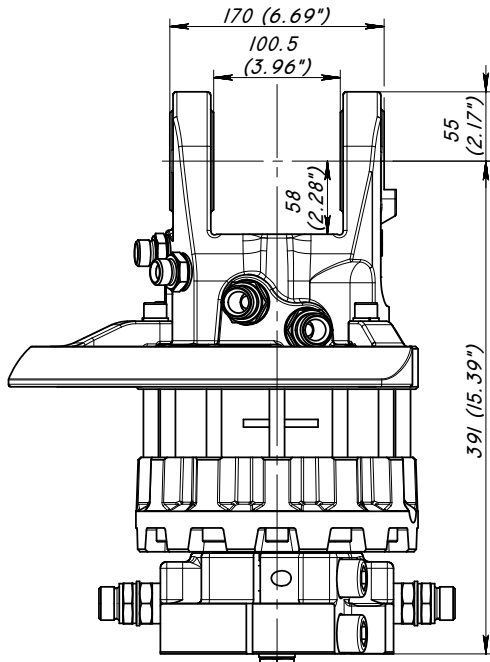


# ROTATOR GRS 16 S

Specially designed for grapple saw



*DIRECTION C*

## Technical data

Rotation	Unlimited
Max axial load static, KN (lbf)	+160 (35976) -90 (20236)
Max axial load dynamic, KN (lbf)	+80 (17988) -45 (10118)
Torque at 25Mpa (3625psi), Nm (lb ft)	3400 (2500)
Rec oilflow, l/min (US gallon)	40 (10.6)
Weight, kg (lb)	79 (174)

## Max working pressure:

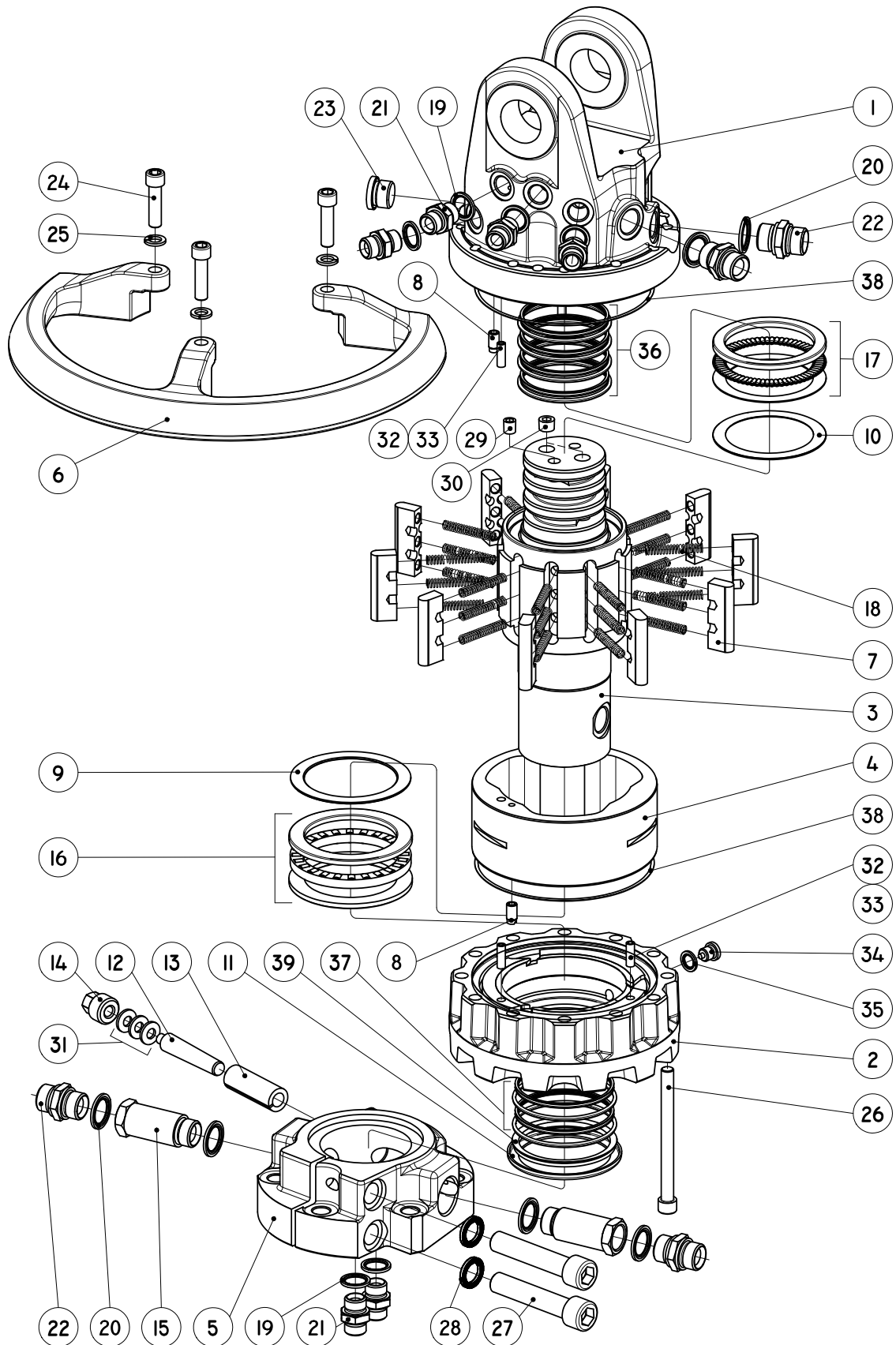
Rotator	←R→	Max 25 MPa (3625 psi)	G 1/2"
Grapple / Tool open	←G→	Max 20 MPa (2900 psi)	G 1/2"
Grapple / Tool close	→G←	Max 30 MPa (4350 psi)	G 1/2"
Extra oil function	1 2	Max 30 MPa (4350 psi)	G 3/4"

## Connection:

2005.04.08.

# ROTATOR GRS 16 S

## List of parts



2005.04.08.

# ROTATOR GRS 16 S

## List of parts

Pos.	Part	Title	Quantity	Notes
1	GRS 16 S.01	Stator plate, upper	1	
2	GR 16 S.02	Stator plate, lower	1	
3	GRS 16 S.006	Rotator shaft	1	
4	GR 16.007-01	Stator frame	1	
5	GRS 16 S.010	Link, lower	1	
6	GRS 16 S.03	Hose guard	1	
7	MTR 104.008	Vane	10	
8	GR 16.022	Restrictor	2	
9	GR 16.020	Shim	1	
10	HR 10 S.020	Shim	1	
11	GR 16.021	Washer	1	
12	GR 16.011	Wedge	1	
13	GR 16.012	Bung	1	
14	MTR 100.013-01	Locking screw	1	
15	MT 0300	Nipple	2	
16	81118	Axial roller bearing	1	
17	AXK 85110	Axial needle bearing	1	
18	MTR 100.009-01	Spring	30	
19	GB - 8 Tredo	Bonded seal	6	
20	GB - 12 Tredo	Bonded seal	6	
21	0101-8	Nipple	6	
22	0101-12	Nipple	4	
23	VSTI R3/4 - ED	Plug	1	
24	MC6S 12.9 M12x45	Screw	3	
25	DIN 127 B ø12	Spring washer	3	
26	MC6S 12.9 M12x140	Screw	12	
27	MC6S 12.9 M20x100	Screw	2	
28	NL 20	Washer	2	
29	835-04	Tap	1	
30	835-06	Tap	2	
31	SB - M10 (4673)	Cup spring	3	
32	5x24 DIN-1481	Pin	4	
33	8x24 DIN-1481	Pin	4	
34		Magnetic plug	1	
35	GB - 4 Tredo	Bonded seal	1	
36	GHH/R 80/91x4.2	Glide ring	4	
37	GHH/R 90/101x4.2	Glide ring	2	
38	OR 170.00x2.50	O - ring	2	
39	VA - 90	V - seal	1	

2005.04.08.



**BALTROTORS**



SIT RIGHT RKN AB