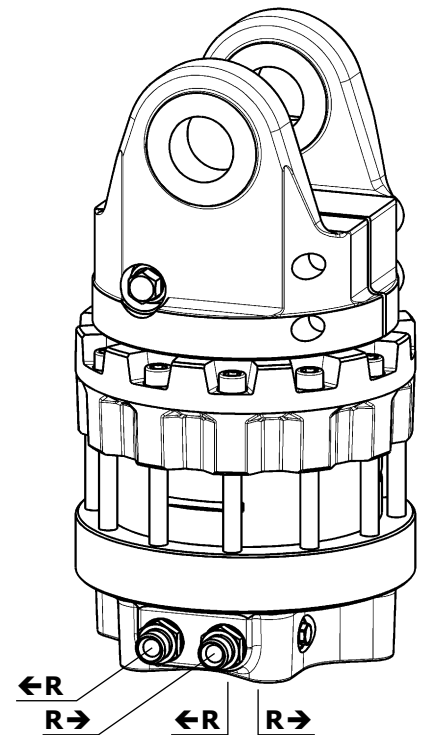
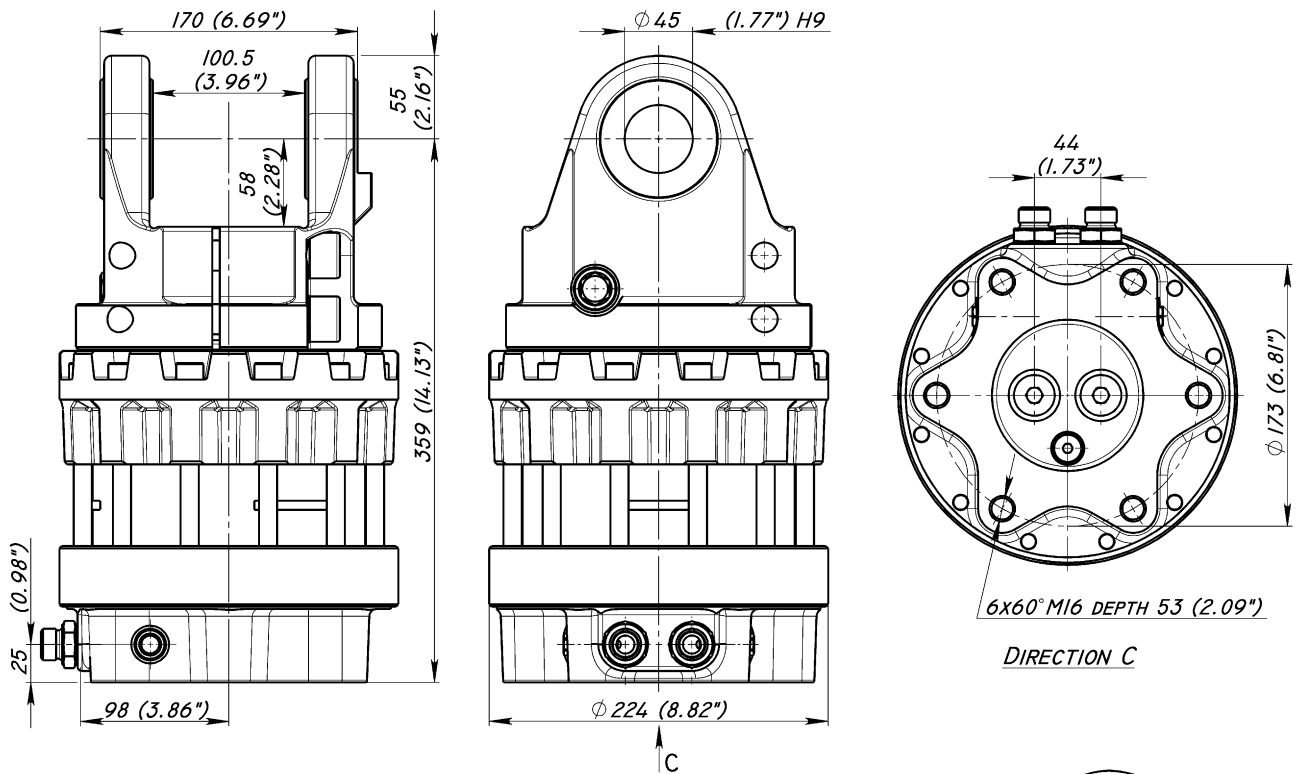


ROTATOR HR 16 SM

Specially designed for the Harvester heads



Technical data

Rotation	Unlimited
Max axial load static, KN (lbf)	+160 (35976) -100 (22485)
Max axial load dynamic, KN (lbf)	+80 (17988) -50 (11242)
Torque at 25Mpa (3625psi), Nm (lb ft)	3400 (2500)
Rec oilflow, l/min (US gallon)	40 (10.6)
Weight, kg (lb)	74 (163)

Max working pressure:

Rotator ←R→ Max 25 MPa (3625 psi)

Connection:

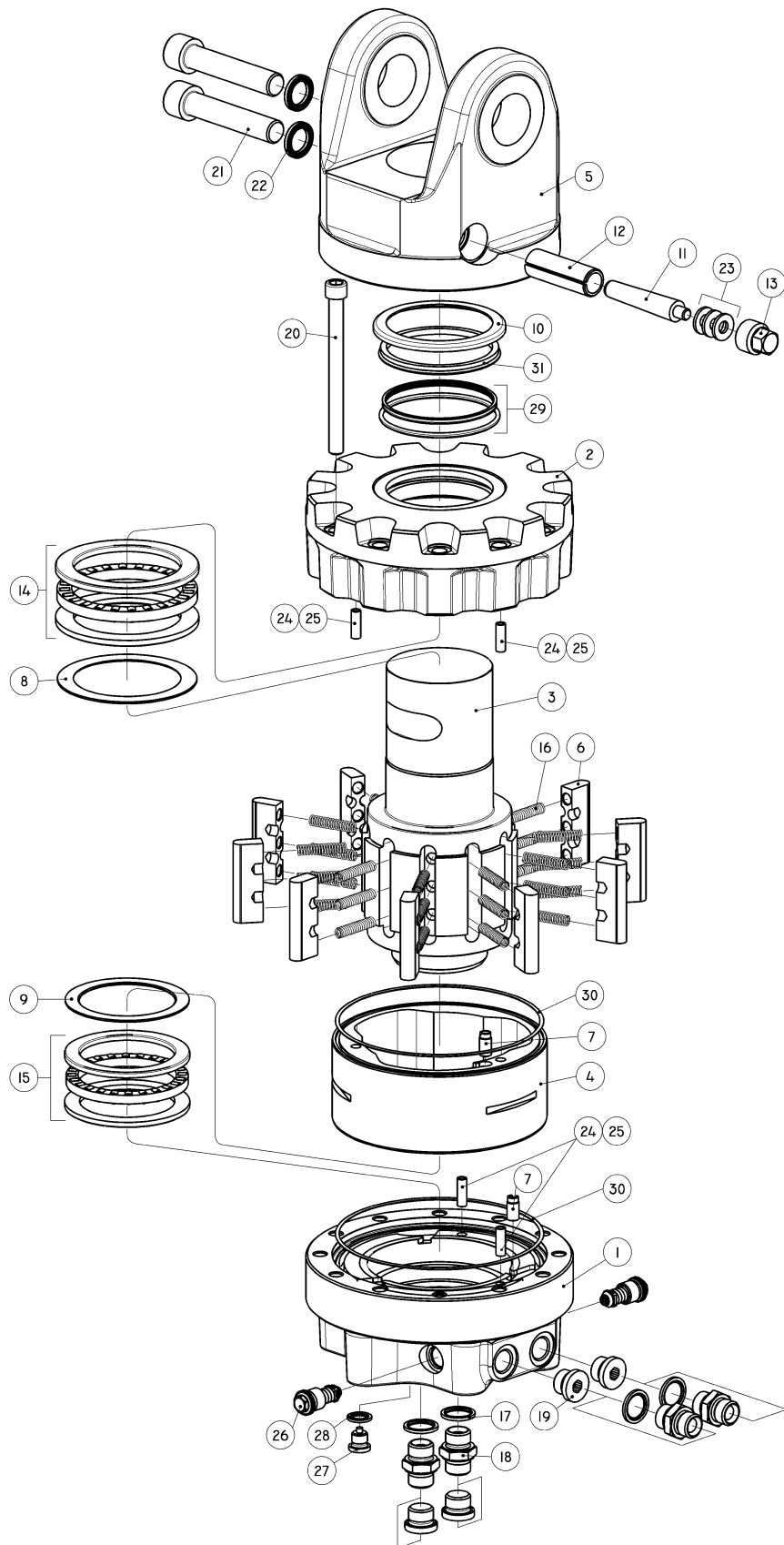
G 1/2"

Relief valve opening pressure 26.5 Mpa (3842psi)

2005.01.06

ROTATOR HR 16 SM

List of parts



2005.01.06

ROTATOR HR 16 SM

List of parts

Nr.	Part	Title	Quantity	Notes
1	HR 16 SM.01	Stator plate, lower	1	
2	HR 16 SM.02	Cover	1	
3	HR 16 SM.006-02	Rotator shaft	1	
4	GR 16.007-01	Stator frame	1	
5	HR 16 SM.005-01	Connector	1	
6	MTR 104.008	Vane	10	
7	GR 16.022	Restrictor	2	
8	GR 16.020	Shim	1	
9	MTR 104.020	Shim	1	
10	GR 16.021	Washer	1	
11	GR 16.011	Wedge	1	
12	GR 16.012	Bung	1	
13	MTR 100.013-01	Locking screw	1	
14	81116	Axial roller bearing	1	
15	81118	Axial roller bearing	1	
16	MTR 100.009-01	Spring	30	
17	GB-8 Tredo	Bonded seal	2	
18	0101-8	Nipple	2	
19	VSTI R1/2 - ED	Plug	2	
20	MC6S 12.9 M12x140	Screw	12	
21	MC6S 12.9 M20x100	Screw	2	
22	NL 20	Washer	2	
23	SB-M10 (4673)	Cup spring	3	
24	5x24 DIN-1481	Pin	4	
25	8x24 DIN-1481	Pin	4	
26	PVLP 63 157 B 2265	Relief valve	2	
27		Magnetic plug	1	
28	GB-4 Tredo	Bonded seal	1	
29	GHH/R 90/101x4.2	Glide ring	2	
30	OR 170.00x2.50	O-ring	2	
31	VR06 - 89 PU	V-seal	1	

2005.01.06



BALTROTORS



SIT RIGHT RKN AB